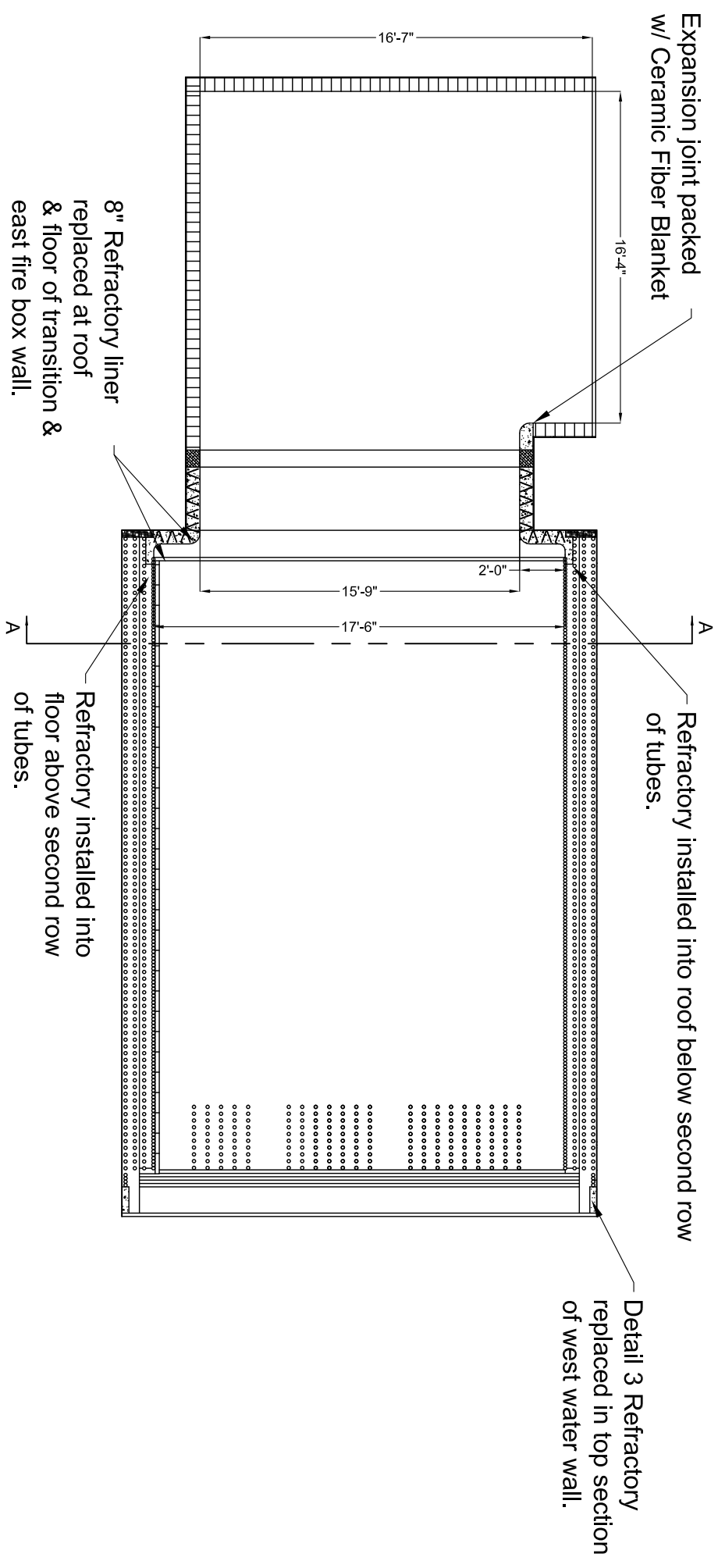


Referenced Drawings	
Drawing Name:	Drawing No:
Drawing Name:	Drawing No:
Drawing Name:	Drawing No:

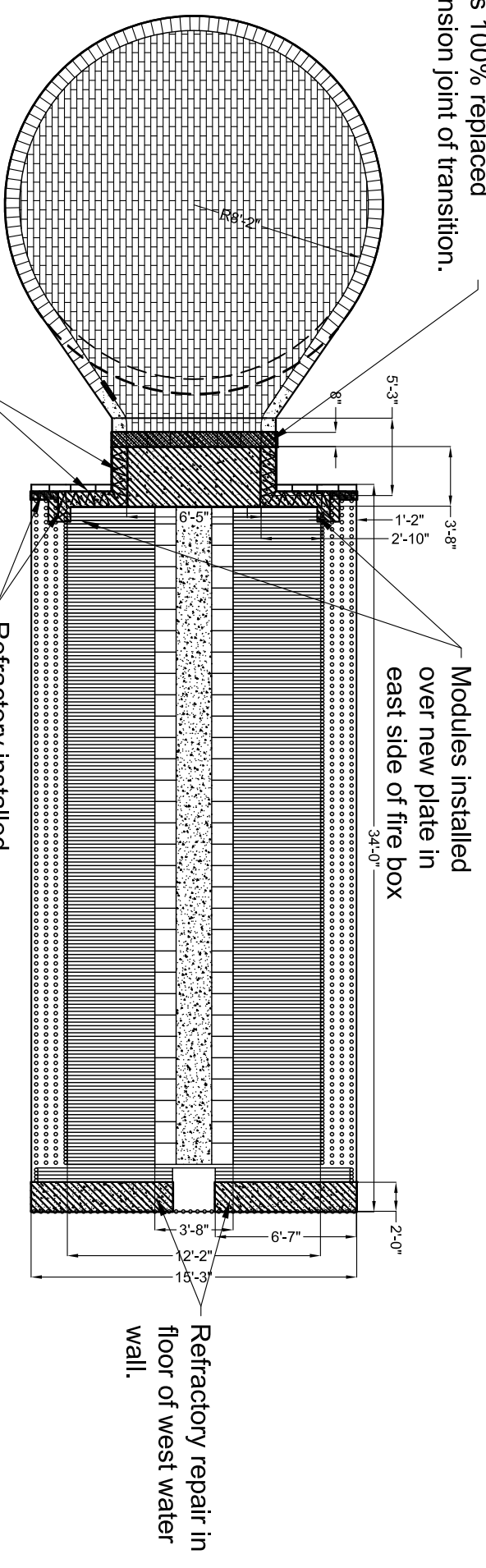
Notes:

This drawing is showing the refractory that was installed in order to make repairs.
 Dimensions were taken in the field and may not reflect original drawings.
 This drawing should not be used for fabrication or for mechanical repairs.
 Section view A:A starts on DWG# T2B002-REFFRAC



VIEW FROM SOUTH LOOKING NORTH

Modules 100% replaced at expansion joint of transition.



VIEW FROM TOP LOOKING DOWN



REFRACTORY REPAIRS

Drawing Name:	Project:	
TRANS. TO BOILER REPAIR	INEOS Nitriles	
Drawing No:	Unit:	
T2B001-REFFRAC	REACTOR 4	
Drawn By:	Date Drawn:	Scale:
S. Ferritta	12/12/2019	N/A
Revised By:	Date Revised:	Rev:
H. Whatley	12/22/2019	0
Approved By:	Date Approved:	Shr:
M. Whatley	12/22/2019	1/6

This is property of Refractory Construction Services, LLC. Do NOT copy or reproduce unless given permission to do so by either RCS or the client this drawing was intended for. Do Not Build For Construction. This is only a reference to repairs.