
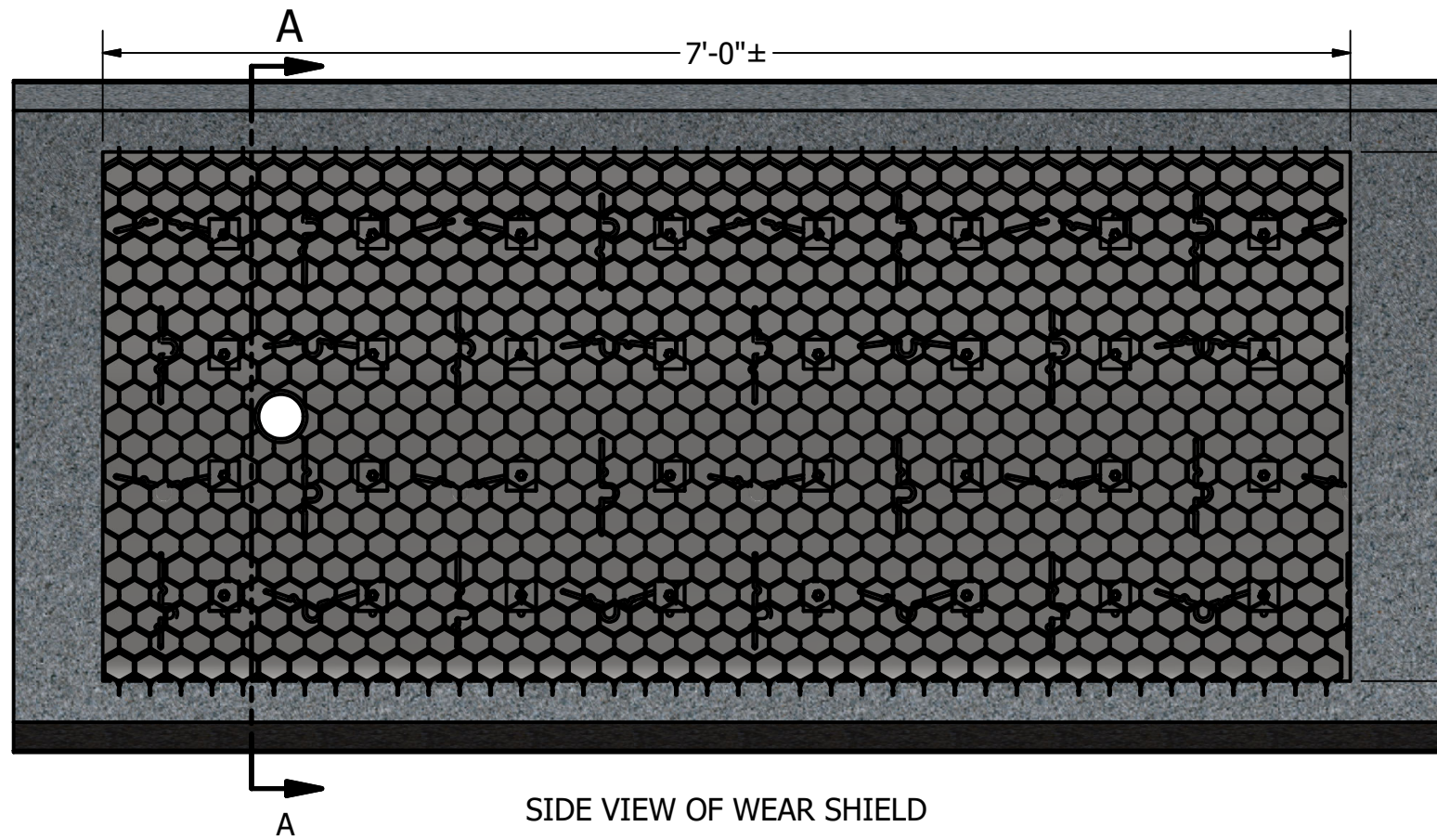
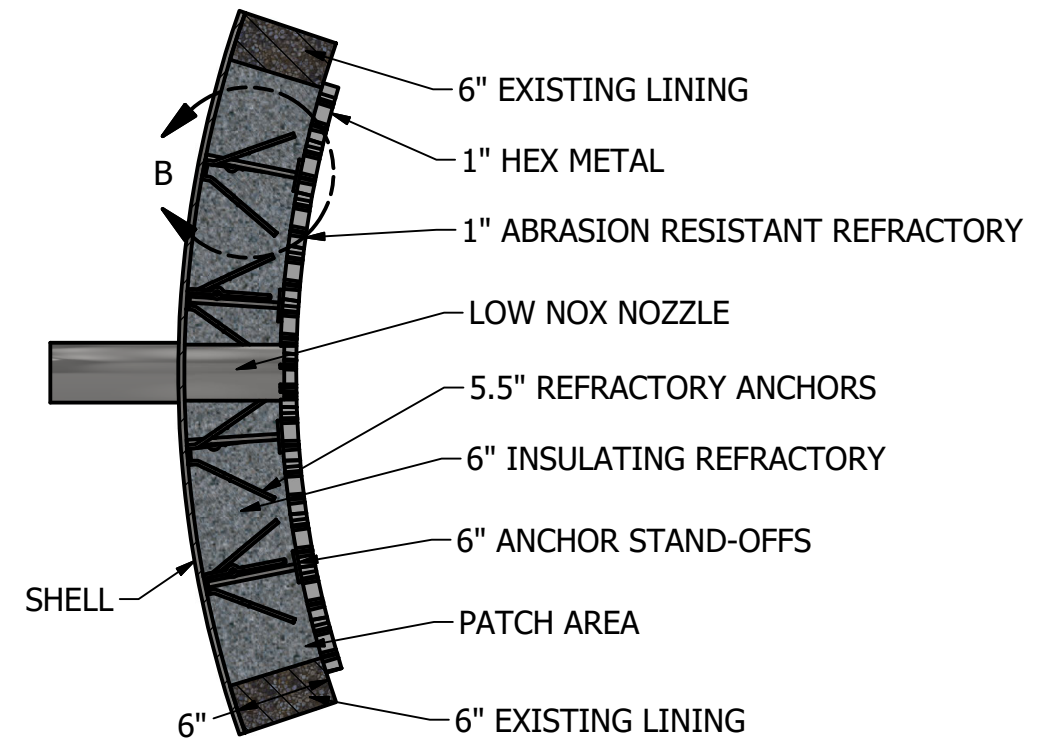


DUAL COMPONENT LINING ASSEMBLY

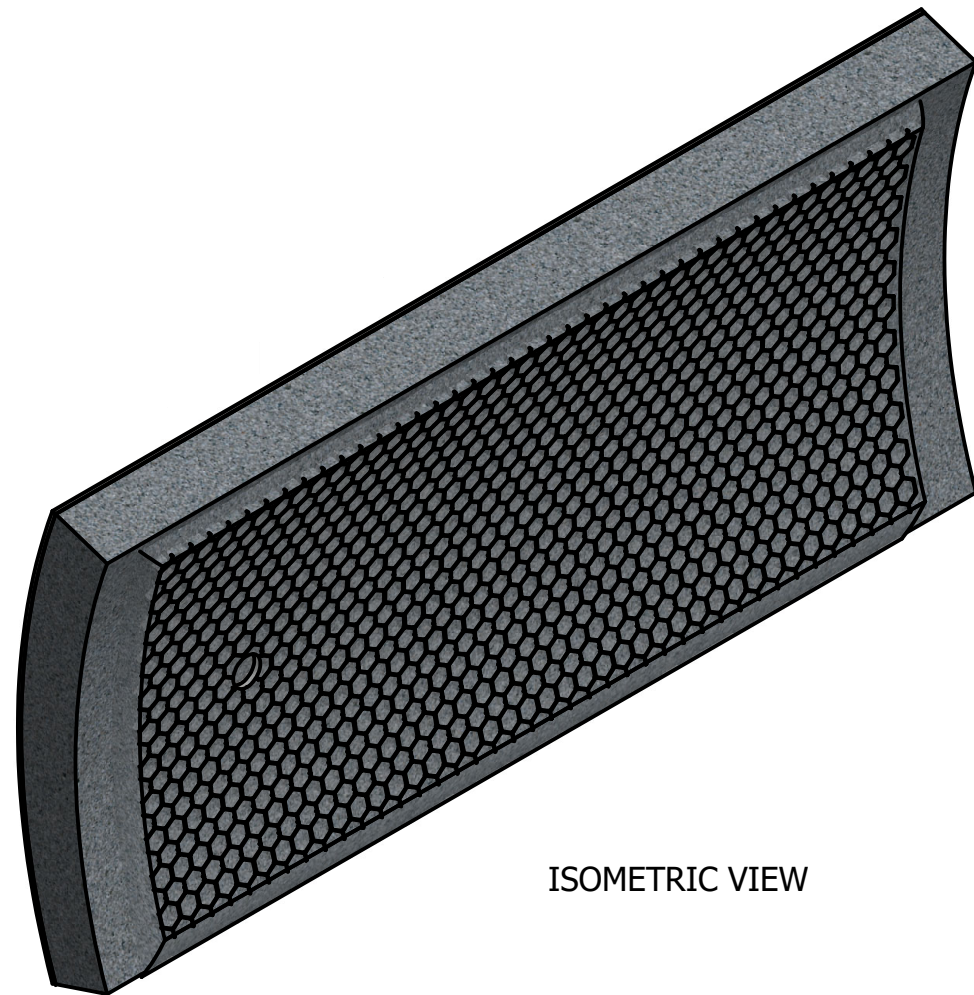
	
TITLE: Wear Shield Presentation	PROJECT: #3 AOGI Reactor Transition
DRAWING NUMBER: RCS-20-002	UNIT: #3 RX
DRAWN: H. WHATLEY	DATE DRAWN: 4/23/2020
CHECKED BY: M. WHATLEY	DATE CHECKED: 4/23/2020
APPROVED BY: M. WHATLEY	DATE APPROVED: 4/23/2020
SCALE: 1 : 10	REV: SHEET: SHEET 1



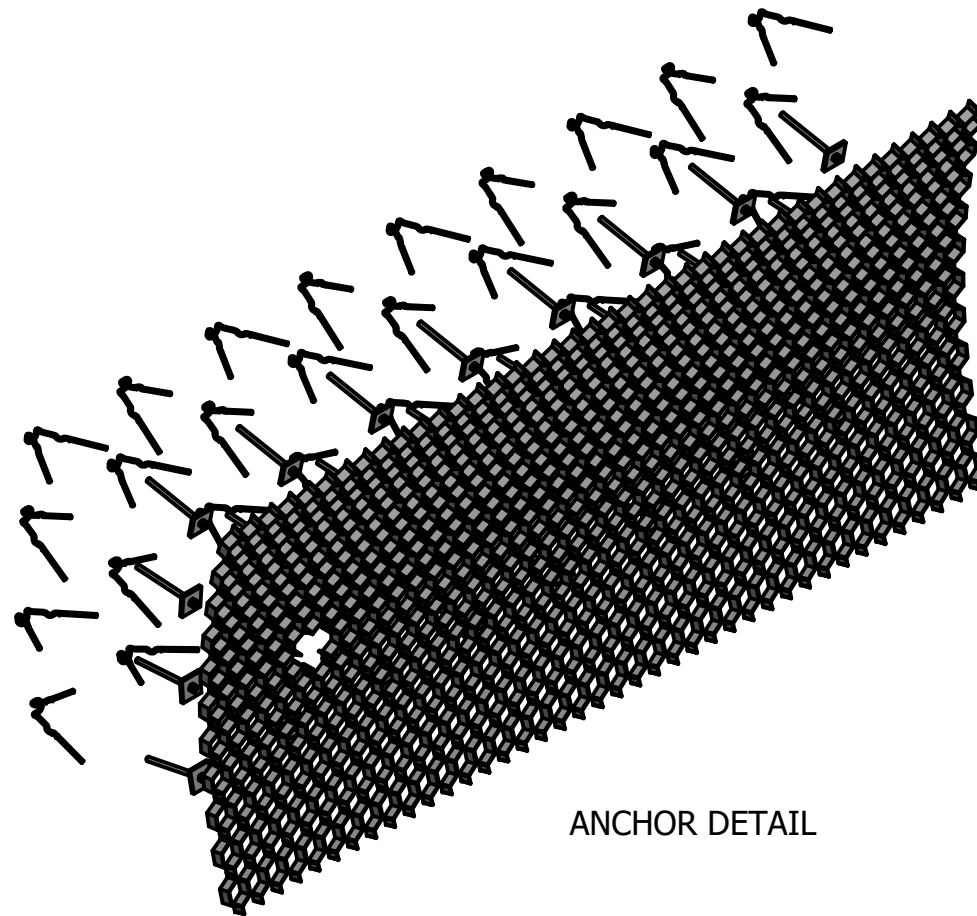
SIDE VIEW OF WEAR SHIELD



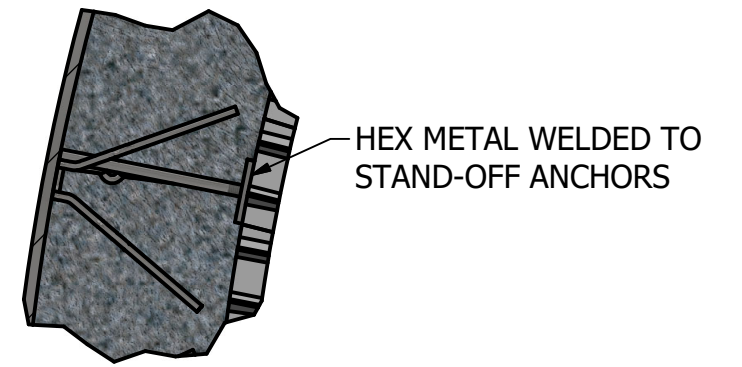
SECTION A-A




ISOMETRIC VIEW



ANCHOR DETAIL



DETAIL B
SCALE 1 / 6

		TITLE:	
		Wear Shield Detail	
DRAWING NUMBER:		PROJECT:	
RCS-20-003		#3 AOGI Reactor Transition	
DRAWN:		UNIT:	SCALE:
H. WHATLEY		#3 RX	1 : 10
CHECKED BY:		DATE DRAWN:	REV:
M. WHATLEY		4/23/2020	
APPROVED BY:		DATE CHECKED:	SHEET:
M. WHATLEY		4/23/2020	SHEET 2
		DATE APPROVED:	
		4/23/2020	